



TIME  SPACE

TBS Integration

Time&Space version 10.10 brings major addition to Spica's hardware portfolio, built in support for **TBS** biometric time recording terminals. Highlights:

- 2D series: premium quality contact fingerprint sensors
- 3D series: superior performance contactless sensor
- Large colour touchscreen personalizable display
- Optional RFID card reader
- In and outdoor use
- Vandal resistant

**Touchless 3D sensor
is the unique solution
for users with hygienic
concerns**

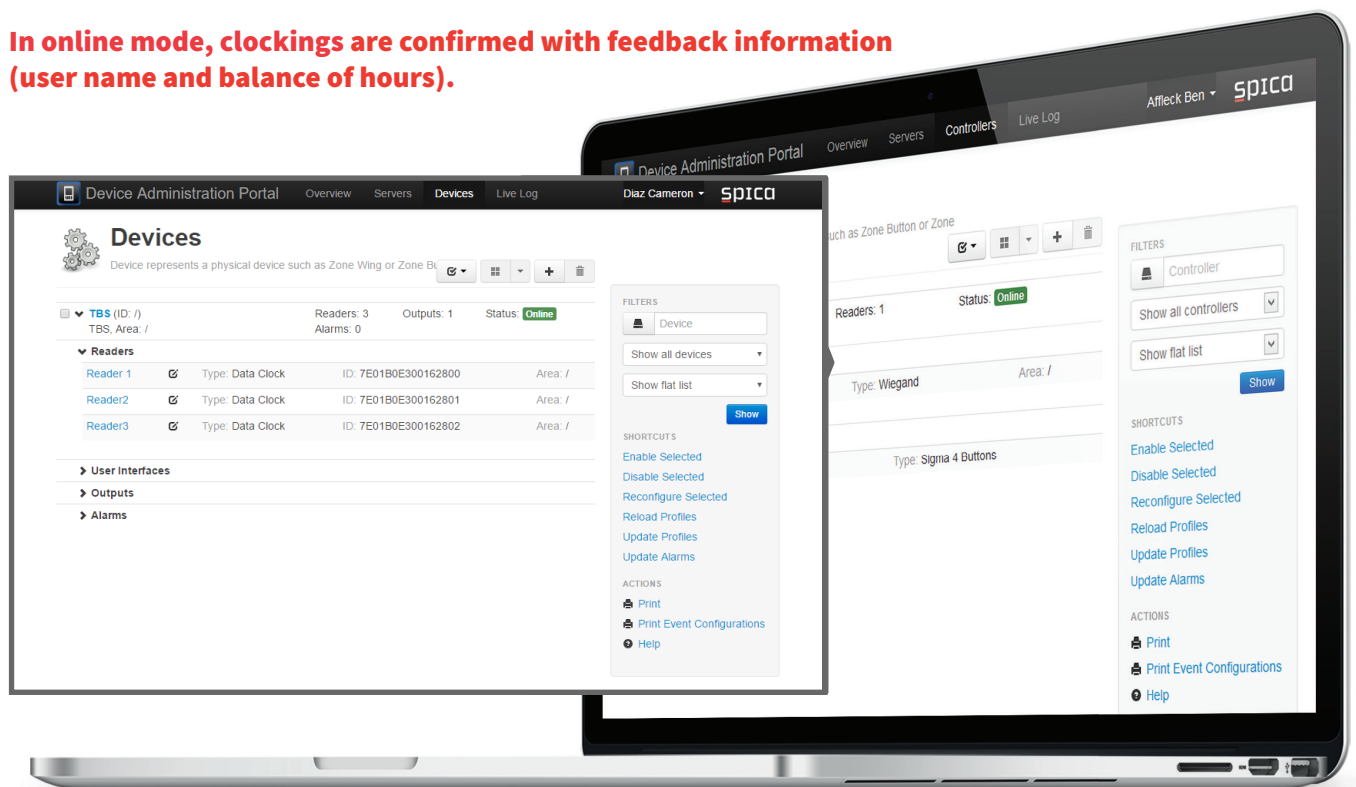
Time Recording

Device Administration Portal (DAP) module is used for device configuration and data collection setup, where TBS time recording features are matched to corresponding Time&Space features.

The following functions are supported:

- Interface: up to 8 TA buttons
- Verification Modes: Finger, PIN, Badge, Finger + PIN, Badge + Finger, Badge + Finger + PIN
- VIP Users: Bypass PIN and Fingerprint verification

In online mode, clockings are confirmed with feedback information (user name and balance of hours).

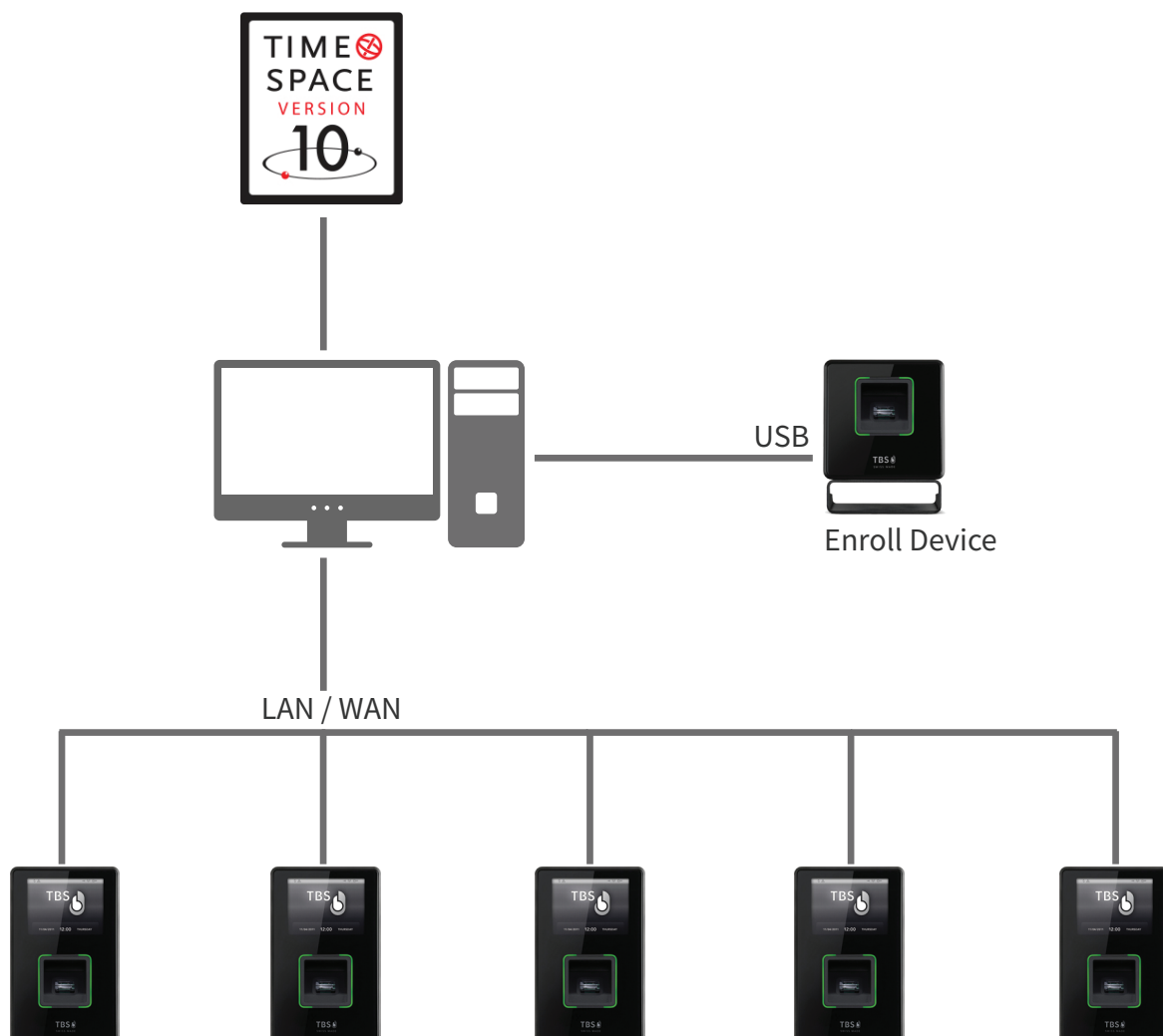


Integration Method

The integration is done on the system level through TBS Inside integration mechanism. Time&Space (DAP) is communicating through TBS API, not with the device directly.

Online and Offline operation mode

- Online mode - Successful clocking will be confirmed by showing the user's name and the balance of hours
- Offline mode - The clocking is accepted, no balance is shown to the user
- Switching between online and offline mode is automatic
- Fingerprint template management is done within TBS system





spica

